



Reach Truck

R 14 – R 25 HD | W | N

Capacity 1.4 – 2.5 t | Series 1120

Robust all-rounder with extensive safety options

- Efficient load handling in most logistics sectors thanks to model diversity and range of optional equipment
- Safe handling of loads at height through high visibility masts, automatic parking brake, Linde Curve Assist and load wheel brakes as standard
- Sophisticated ergonomic concept ensures intuitive and fatigue-free operation
- Service intervals of 1000 operating hours with easy access and maintenance-free electric motors offer outstanding availability

TECHNICAL DATA (According to VDI 2198)

Characteristics	1.1	Manufacturer		LINDE	LINDE	LINDE	LINDE
	1.2	Manufacturer's type designation		R14 N	R16 N	R20 N	R14
	1.2a	Series		1120-00	1120-00	1120-00	1120-00
	1.3	Power unit		Battery	Battery	Battery	Battery
	1.4	Operation		Seat	Seat	Seat	Seat
	1.5	Load capacity/load	Q (t)	1.4	1.6	2.0	1.4
	1.6	Load centre distance	c (mm)	600/500	600/500	600/500	600/500
	1.8	Axle centre to fork face	x (mm)	388	383	275	386
	1.9	Wheelbase	y (mm)	1453	1453	1525	1381
Weights	2.1	Service weight	kg	3265	3180	4070	3305
	2.3	Axle load without load front/rear	kg	2032/1233	1987/1193	2266/1804	2090/1215
	2.4	Axle load fork outreached with load front/rear	kg	763/3902	639/4141	689/5381	756/3949
	2.5	Axle load fork retracted with load front/rear	kg	1827/2838	1748/3032	1840/4230	1873/2832
Wheels/tyres	3.1	Tyres rubber SE pneumatic polyurethane		Polyurethane	Polyurethane	Polyurethane	Polyurethane
	3.2	Tyre size front		Ø 360 x 130	Ø 360 x 130	Ø 360 x 140	Ø 360 x 130
	3.3	Tyre size rear		Ø 285 x 100	Ø 285 x 100	Ø 350 x 100	Ø 285 x 100
	3.5	Wheels number front/rear (x = driven)		1x/2	1x/2	1x/2	1x/2
3.7	Track width rear	b11 (mm)	1037	1037	1037	1167	
Dimensions	4.1	Mast/fork carriage tilt forward/backward	a/b (°)	2.0/4.0	2.0/4.0	2.0/4.0	2.0/4.0
	4.2	Height of mast lowered	h1 (mm)	2860	2460	3585	2860
	4.3	Free lift	h2 (mm)	2198	1798	2923	2198
	4.4	Lift	h3 (mm)	6995	5795	9170	6995
	4.5	Height of mast extended	h4 (mm)	7473	6273	9738	7473
	4.7	Height of overhead guard (cabin)	h6 (mm)	2110 ²⁾	2110 ²⁾	2110 ²⁾	2110 ²⁾
	4.8	Seat height relating to SIP/stand height	h7 (mm)	910 - 1040	910 - 1040	910 - 1040	910 - 1040
	4.10	Height of reach legs	h8 (mm)	307.5	307.5	372.5	307.5
	4.19	Overall length	l1 (mm)	2436	2441	2621	2366
	4.20	Length to fork face	l2 (mm)	1286	1291	1471	1216
	4.21	Overall width	b1/b2 (mm)	1140	1140	1140	1270
	4.22	Fork dimensions DIN ISO 2331	s/e/l (mm)	40 × 80 × 1150	45 × 100 × 1150	45 × 100 × 1150	40 × 80 × 1150
	4.23	Fork carriage to ISO 2328 class/type A B		2A	2A	2A	2A
	4.24	Width of fork carriage	b3 (mm)	770	770	680	770
	4.25	Fork spread	b5 (mm)	296/525	316/545	316/621	296/690
	4.26	Distance between wheel arms/loading surfaces	b4 (mm)	790	790	790	920
	4.28	Reach travel	l4 (mm)	520	510	434	518
	4.31	Ground clearance below mast	m1 (mm)	75	75	75	75
	4.32	Ground clearance centre of wheelbase	m2 (mm)	70	70	70	70
	4.34.1	Aisle width for pallets 1000 × 1200 crossways	Ast (mm)	2748	2751	2901	2670
4.34.2	Aisle width with pallet 800 × 1200 along forks	Ast (mm)	2796	2800	2968	2749	
4.35	Turning radius	Wa (mm)	1691	1691	1760	1642	
4.37	Length of chassis	l7 (mm)	1819	1819	1924	1747	
Performance	5.1	Travel speed with/without load	km/h	14/14 ^{6) 7)}	14/14 ^{6) 7)}	14/14 ^{6) 7)}	14/14 ^{6) 7)}
	5.2	Lifting speed with/without load	m/s	0.53/0.7	0.51/0.7	0.43/0.52	0.53/0.7
	5.3	Lowering speed with/without load	m/s	0.53/0.47	0.47/0.47	0.55/0.44	0.53/0.47
	5.4	Reach speed with/without load	m/s	0.2	0.2	0.2	0.2
	5.8	Maximum climbing ability with/without load	%	10.0/10.0	10.0/10.0	10.0/10.0	10.0/10.0
	5.9	Acceleration time with/without load	s	4.7/4.6	4.8/4.6	5.1/4.7	4.7/4.6
5.10	Service brake		hydr./mech.	hydr./mech.	hydr./mech.	hydr./mech.	
Drive	6.1	Drive motor rating S2 60 min	kW	6.5	6.5	6.5	6.5
	6.2	Lift motor rating at S3 15%	kW	14	14	14	14
	6.3	Battery according to DIN 43531/35/36 A B C no		43 531 B	43 531 B	43 531 B	43 531 C/[Li-ION]
	6.4	Battery voltage/rated capacity (5 h)	(V)/(Ah) o. kWh	48/420/465 ¹⁾	48/420/465 ¹⁾	48/700/775 ¹⁾	48/420/465 [48/201] ^{1) 8)}
	6.4.a	Battery energy content	kWh	-	-	-	[9.8] ⁸⁾
	6.5	Battery weight (±5%)	kg	746	746	1119	750
	6.6	Power consumption according to VDI cycle	kWh/h	3.5	3.7	5.1	3.5
	6.7	Turnover output according to VDI 2198	t/h	62.0	72.0	80.0	62.0
6.8	Turnover efficiency according to VDI 2198	t/kWh	16	18	19	16	
Others	10.1	Operating pressure for attachments	bar	200	200	200	200
	10.2	Oil flow for attachments	l/min	10	10	10	10
	10.7	Sound pressure level LpAZ (at the operator's seat)	dB(A)	63	63	64	63

1) Alternative batteries may alter l1, Ast and service weight
2) With ambient cabin +95 mm
3) Including a 200 mm (minimum) operating aisle clearance

4) Some truck specifications require a reach-back restriction
Please note information in Linde World mast table
5) Attention, with cabin increased turning radius (Wa)
due to required fender

6) Forward; backward
7) Depending on performance setting
8) Figures in [] with Li-ION battery see line 6.4

TECHNICAL DATA (According to VDI 2198)

			LINDE	LINDE	LINDE	LINDE	
			R14 HD	R16	R16 HD	R20	
Characteristics	1.1	Manufacturer		LINDE	LINDE	LINDE	
	1.2	Manufacturer's type designation		R14 HD	R16	R16 HD	R20
	1.2a	Series		1120-00	1120-00	1120-00	1120-00
	1.3	Power unit		Battery	Battery	Battery	Battery
	1.4	Operation		Seat	Seat	Seat	Seat
	1.5	Load capacity/load	Q (t)	1.4	1.6	1.6	2.0
	1.6	Load centre distance	c (mm)	600/500	600/500	600/500	600/500
	1.8	Axle centre to fork face	x (mm)	275	381	347	347
	1.9	Wheelbase	y (mm)	1381	1453	1453	1525
Weights	2.1	Service weight	kg	3735 ¹⁾	3870	3955 ¹⁾	4380 ¹⁾
	2.3	Axle load without load front/rear	kg	2090/1645	2366/1504	2330/1625	2540/1840
	2.4	Axle load fork outreached with load front/rear	kg	810/4,325	884/4586	815/4740	695/5685
	2.5	Axle load fork retracted with load front/rear	kg	1761/3374	2125/3345	2051/3504	2208/4172
Wheels/tyres	3.1	Tyres rubber SE pneumatic polyurethane		Polyurethane	Polyurethane	Polyurethane	Polyurethane
	3.2	Tyre size front		Ø 360 × 130	Ø 360 × 130	Ø 360 × 130	Ø 360 × 140
	3.3	Tyre size rear		Ø 285 × 100	Ø 285 × 100	Ø 285 × 100	Ø 350 × 100
	3.5	Wheels number front/rear (x = driven)		1x/2	1x/2	1x/2	1x/2
3.7	Track width rear	b11 (mm)	1167	1167	1167	1167	
Dimensions	4.1	Mast/fork carriage tilt forward/backward	a/b (°)	2.0/4.0	2.0/4.0	2.0/4.0	2.0/4.0
	4.2	Height of mast lowered	h1 (mm)	3180	3685	3430	3655
	4.3	Free lift	h2 (mm)	2051	3023	2301	2776
	4.4	Lift	h3 (mm)	7555	9470	8255	8955
	4.5	Height of mast extended	h4 (mm)	8301	9948	3001	9701
	4.7	Height of overhead guard (cabin)	h6 (mm)	2110 ²⁾	2110 ²⁾	2110 ²⁾	2110 ²⁾
	4.8	Seat height relating to SIP/stand height	h7 (mm)	910 - 1040	910 - 1040	910 - 1040	910 - 1040
	4.10	Height of reach legs	h8 (mm)	307.5	307.5	307.5	372.5
	4.19	Overall length	l1 (mm)	2475 ¹⁾	2443	2475 ¹⁾	2547 ¹⁾
	4.20	Length to fork face	l2 (mm)	1325	1293	1325	1397
	4.21	Overall width	b1/b2 (mm)	1270	1270	1270	1270
	4.22	Fork dimensions DIN ISO 2331	s/e/l (mm)	45 × 100 × 1150	45 × 100 × 1150	45 × 100 × 1150	45 × 100 × 1150
	4.23	Fork carriage to ISO 2328 class/type A B		2A	2A	2A	2A
	4.24	Width of fork carriage	b3 (mm)	830	770	830	830
	4.25	Fork spread	b5 (mm)	316/710	316/710	316/710	316/710
	4.26	Distance between wheel arms/loading surfaces	b4 (mm)	920	920	920	920
	4.28	Reach travel	l4 (mm)	465	508	537	567
	4.31	Ground clearance below mast	m1 (mm)	75	75	75	75
	4.32	Ground clearance centre of wheelbase	m2 (mm)	70	70	70	70
4.34.1	Aisle width for pallets 1000 × 1200 crossways	Ast (mm)	2781 ^{1) 3) 4)}	2772	2797 ^{1) 3) 4)}	2865 ^{1) 3) 4)}	
4.34.2	Aisle width with pallet 800 × 1200 along forks	Ast (mm)	2848 ^{1) 3) 4)}	2821	2852 ^{1) 3) 4)}	2920 ^{1) 3) 4)}	
4.35	Turning radius	Wa (mm)	1640 ⁵⁾	1710	1710 ⁵⁾	1778 ⁵⁾	
4.37	Length of chassis	l7 (mm)	1737	1820	1817	1922	
Performance	5.1	Travel speed with/without load	km/h	14/14 ^{6) 7)}	14/14 ^{6) 7)}	14/14 ^{6) 7)}	14/14 ^{6) 7)}
	5.2	Lifting speed with/without load	m/s	0.55/0.66	0.51/0.7	0.52/0.66	0.46/0.66
	5.3	Lowering speed with/without load	m/s	0.55/0.44	0.47/0.47	0.55/0.44	0.55/0.44
	5.4	Reach speed with/without load	m/s	0.2	0.2	0.2	0.2
	5.8	Maximum climbing ability with/without load	%	10.0/10.0	10.0/10.0	10.0/10.0	10.0/10.0
	5.9	Acceleration time with/without load	s	4.8/4.7	4.8/4.7	4.9/4.7	5.1/4.7
5.10	Service brake		hydr./mech.	hydr./mech.	hydr./mech.	hydr./mech.	
Drive	6.1	Drive motor rating S2 60 min	kW	6.5	6.5	6.5	6.5
	6.2	Lift motor rating at S3 15%	kW	14	14	14	14
	6.3	Battery according to DIN 43531/35/36 A B C no		43 531 C/[Li-ION]	43 531 C/[Li-ION]	43 531 C/[Li-ION]	43 531 C/[Li-ION]
	6.4	Battery voltage/rated capacity (5 h)	(V)/(Ah) o. kWh	48/560/620 [48/804] ^{1) 8)}	48/560/620 [48/804] ^{1) 8)}	48/560/620 [48/804] ^{1) 8)}	48/700/775 [48/804] ^{1) 8)}
	6.4.a	Battery energy content	kWh	[39.2] ⁸⁾	[39.2] ⁸⁾	[39.2] ⁸⁾	[39.2] ⁸⁾
	6.5	Battery weight (±5%)	kg	939	939	939	1119
	6.6	Power consumption according to VDI cycle	kWh/h	3.7	3.7	3.9	4.3
	6.7	Turnover output according to VDI 2198	t/h	60.0	60.0	68.0	82.0
6.8	Turnover efficiency according to VDI 2198	t/kWh	16	16	17	20	
Others	10.1	Operating pressure for attachments	bar	200	200	200	200
	10.2	Oil flow for attachments	l/min	10	10	10	10
	10.7	Sound pressure level LpAZ (at the operator's seat)	dB(A)	63	63	63	64

1) Alternative batteries may alter l1, Ast and service weight
2) With ambient cabin +95 mm
3) Including a 200 mm (minimum) operating aisle clearance

4) Some truck specifications require a reach-back restriction
Please note information in Linde World mast table
5) Attention, with cabin increased turning radius (Wa) due to required fender

6) Forward; backward
7) Depending on performance setting
8) Figures in [] with Li-ION battery see line 6.4

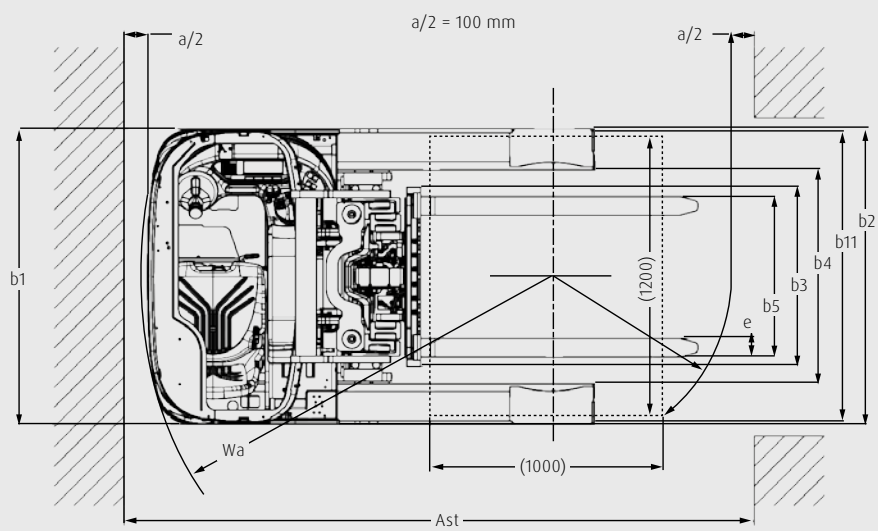
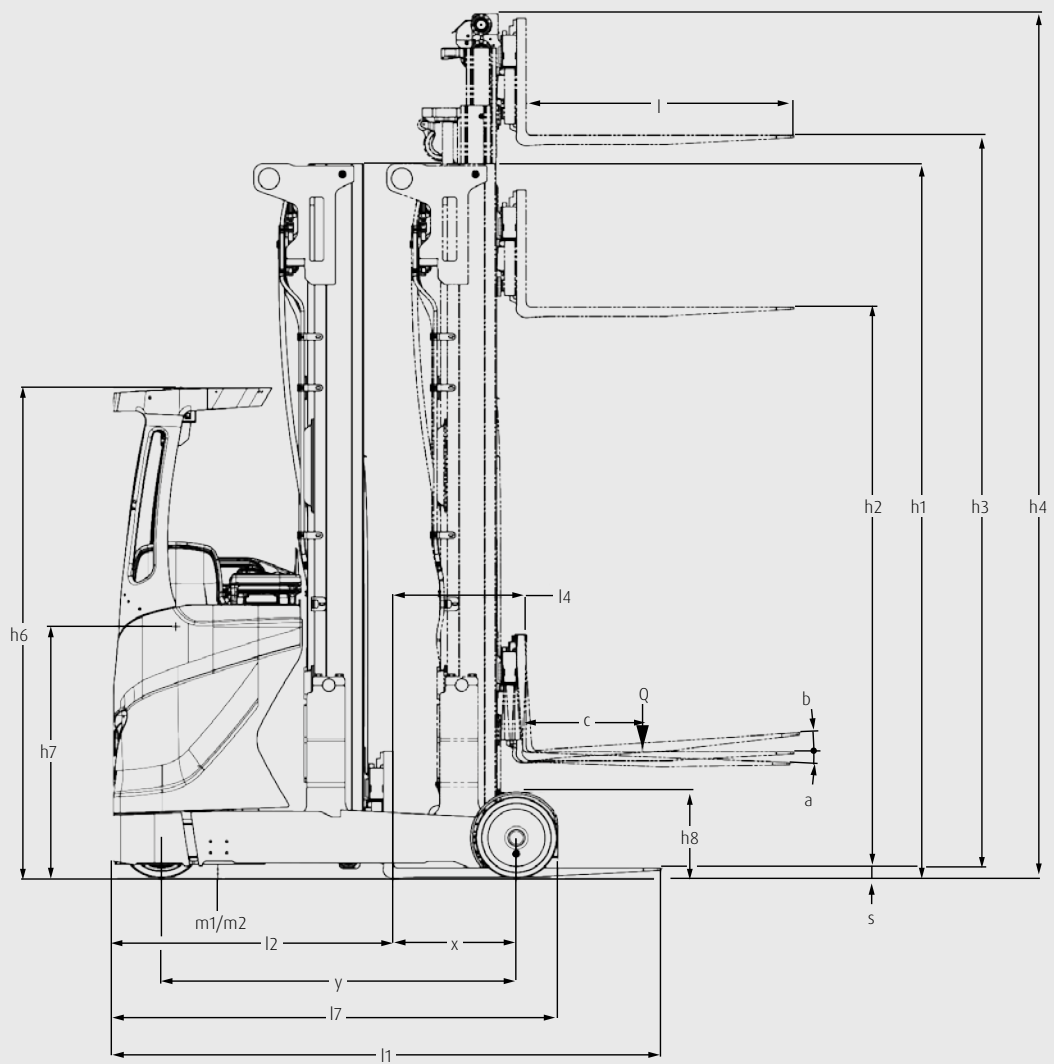
TECHNICAL DATA (According to VDI 2198)

			LINDE	LINDE	LINDE	LINDE	
			R20 HD	R25	R20 W-1470	R20 W-1670	
Characteristics	1.1	Manufacturer		LINDE	LINDE	LINDE	LINDE
	1.2	Manufacturer's type designation		R20 HD	R25	R20 W-1470	R20 W-1670
	1.2a	Series		1120-00	1120-00	1120-00	1120-00
	1.3	Power unit		Battery	Battery	Battery	Battery
	1.4	Operation		Seat	Seat	Seat	Seat
	1.5	Load capacity/load	Q (t)	2.0	2.5	2.0	2.0
	1.6	Load centre distance	c (mm)	600/500	600/500	600/500	600/500
	1.8	Axle centre to fork face	x (mm)	419	419	347	347
	1.9	Wheelbase	y (mm)	1669	1669	1525	1525
Weights	2.1	Service weight	kg	5135 ¹⁾	5135 ¹⁾	4465 ¹⁾	4515 ¹⁾
	2.3	Axle load without load front/rear	kg	2945/2190	2945/2190	2600/1865	2640/1875
	2.4	Axle load fork outreached with load front/rear	kg	1020/6115	765/6870	755/5710	795/5720
	2.5	Axle load fork retracted with load front/rear	kg	2728/4407	2674/4961	2268/4197	2308/4207
Wheels/tyres	3.1	Tyres rubber SE pneumatic polyurethane		Polyurethane	Polyurethane	Polyurethane	Polyurethane
	3.2	Tyre size front		Ø 360 × 140	Ø 360 × 140	Ø 360 × 140	Ø 360 × 140
	3.3	Tyre size rear		Ø 350 × 100	Ø 350 × 100	Ø 350 × 100	Ø 350 × 100
	3.5	Wheels number front/rear (x = driven)		1x/2	1x/2	1x/2	1x/2
3.7	Track width rear	b11 (mm)	1167	1167	1367	1567	
Dimensions	4.1	Mast/fork carriage tilt forward/backward	a/b (°)	2.0/4.0	2.0/4.0	2.0/4.0	2.0/4.0
	4.2	Height of mast lowered	h1 (mm)	4930	3530	3655	3655
	4.3	Free lift	h2 (mm)	3800	2401	2776	2776
	4.4	Lift	h3 (mm)	11455	8555	8955	8955
	4.5	Height of mast extended	h4 (mm)	12201	9311	9701	9701
	4.7	Height of overhead guard (cabin)	h6 (mm)	2110 ²⁾	2110 ²⁾	2110 ²⁾	2110 ²⁾
	4.8	Seat height relating to SIP/stand height	h7 (mm)	910 - 1040	910 - 1040	910 - 1040	910 - 1040
	4.10	Height of reach legs	h8 (mm)	372.5	372.5	372.5	372.5
	4.19	Overall length	l1 (mm)	2619 ¹⁾	2619 ¹⁾	2547 ¹⁾	2547 ¹⁾
	4.20	Length to fork face	l2 (mm)	1469	1469	1397	1397
	4.21	Overall width	b1/b2 (mm)	1270	1270	1470	1670
	4.22	Fork dimensions DIN ISO 2331	s/e/l (mm)	45 × 100 × 1150	45 × 100 × 1150	45 × 100 × 1150	45 × 100 × 1150
	4.23	Fork carriage to ISO 2328 class/type A B		2A	2A	2A	2A
	4.24	Width of fork carriage	b3 (mm)	830	830	830	830
	4.25	Fork spread	b5 (mm)	316/710	316/710	316/710	316/710
	4.26	Distance between wheel arms/loading surfaces	b4 (mm)	920	920	1120	1320
	4.28	Reach travel	l4 (mm)	639	639	567	567
	4.31	Ground clearance below mast	m1 (mm)	75	75	75	75
	4.32	Ground clearance centre of wheelbase	m2 (mm)	65	65	70	70
4.34.1	Aisle width for pallets 1000 × 1200 crossways	Ast (mm)	2950 ^{1) 3) 4)}	2950 ^{1) 3) 4)}	2897 ^{1) 3) 4)}	2937 ^{1) 3) 4)}	
4.34.2	Aisle width with pallet 800 × 1200 along forks	Ast (mm)	2992 ^{1) 3) 4)}	2992 ^{1) 3) 4)}	2952 ^{1) 3) 4)}	2992 ^{1) 3) 4)}	
4.35	Turning radius	Wa (mm)	1915 ⁵⁾	1915 ⁵⁾	1810 ⁵⁾	1850 ⁵⁾	
4.37	Length of chassis	l7 (mm)	2066	2066	1922	1922	
Performance	5.1	Travel speed with/without load	km/h	14/14 ^{6) 7)}	14/14 ^{6) 7)}	14/14 ^{6) 7)}	14/14 ^{6) 7)}
	5.2	Lifting speed with/without load	m/s	0.46/0.66	0.39/0.66	0.46/0.66	0.46/0.66
	5.3	Lowering speed with/without load	m/s	0.55/0.44	0.55/0.44	0.55/0.44	0.55/0.44
	5.4	Reach speed with/without load	m/s	0.2	0.2	0.2	0.2
	5.8	Maximum climbing ability with/without load	%	10.0/10.0	10.0/10.0	10.0/10.0	10.0/10.0
	5.9	Acceleration time with/without load	s	5.3/4.8	5.4/4.8	5.2/4.7	5.2/4.7
5.10	Service brake		hydr./mech.	hydr./mech.	hydr./mech.	hydr./mech.	
Drive	6.1	Drive motor rating S2 60 min	kW	6.5	6.5	6.5	6.5
	6.2	Lift motor rating at S3 15%	kW	14	14	14	14
	6.3	Battery according to DIN 43531/35/36 A B C no		43 531 C/[Li-ION]	43 531 C/[Li-ION]	43 531 C/[Li-ION]	43 531 C/[Li-ION]
	6.4	Battery voltage/rated capacity (5 h)	(V)/(Ah) o. kWh	48/840/930 [48/804] ^{1) 8)}	48/840/930 [48/804] ^{1) 8)}	48/700/775 [48/804] ^{1) 8)}	48/700/775 [48/804] ^{1) 8)}
	6.4.a	Battery energy content	kWh	[39.2] ⁸⁾	[39.2] ⁸⁾	[39.2] ⁸⁾	[39.2] ⁸⁾
	6.5	Battery weight (±5%)	kg	1306 [1119] ⁸⁾	1306 [1119] ⁸⁾	1119	1119
	6.6	Power consumption according to VDI cycle	kWh/h	4.6	-	4.3	4.3
	6.7	Turnover output according to VDI 2198	t/h	80.0	-	82.0	82.0
6.8	Turnover efficiency according to VDI 2198	t/kWh	19	-	20	20	
Others	10.1	Operating pressure for attachments	bar	200	200	200	200
	10.2	Oil flow for attachments	l/min	10	10	10	10
	10.7	Sound pressure level LpAZ (at the operator's seat)	dB(A)	64	64	64	64

1) Alternative batteries may alter l1, Ast and service weight
2) With ambient cabin +95 mm
3) Including a 200 mm (minimum) operating aisle clearance

4) Some truck specifications require a reach-back restriction
Please note information in Linde World mast table
5) Attention, with cabin increased turning radius (Wa)
due to required fender

6) Forward; backward
7) Depending on performance setting
8) Figures in [] with Li-ION battery see line 6.4



MAST TABLES

TRIPLEX MAST (in mm)

Series	1505										
Lift	h3: 4670	h3: 5795	h3: 6995	h3: 7295	h3: 7595	h3: 7970	h3: 8270	h3: 8570	h3: 9470	h3: 10520	h3: 10970
Height measurements	h1: 2085 h2: 1423 h3: 4670 h4: 5148	h1: 2460 h2: 1798 h3: 5795 h4: 6273	h1: 2860 h2: 2198 h3: 6995 h4: 7473	h1: 2960 h2: 2298 h3: 7295 h4: 7773	h1: 3060 h2: 2398 h3: 7595 h4: 8073	h1: 3185 h2: 2523 h3: 7970 h4: 8448	h1: 3285 h2: 2623 h3: 8270 h4: 8748	h1: 3385 h2: 2723 h3: 8570 h4: 9048	h1: 3685 h2: 3023 h3: 9470 h4: 9948	h1: 4035 h2: 3373 h3: 10520 h4: 10998	h1: 4185 h2: 3523 h3: 10970 h4: 11448
Model											
R14/R16	○	○	○	○	○	○	○	○	○	-/○	-/○
R14 N/R16 N	○	○	○	○	○	○	○	○	tbd	-/-	-/-

Series	1505									
Lift	h3: 6320	h3: 6995	h3: 7595	h3: 8270	h3: 9020	h3: 9170	h3: 9620	h3: 9920	h3: 10070	
Height measurements	h1: 2635 h2: 1973 h3: 6320 h4: 6798	h1: 2860 h2: 2198 h3: 6995 h4: 7473	h1: 3060 h2: 2398 h3: 7595 h4: 8073	h1: 3285 h2: 2623 h3: 8270 h4: 8748	h1: 3535 h2: 2873 h3: 9020 h4: 9498	h1: 3585 h2: 2923 h3: 9170 h4: 9648	h1: 3735 h2: 3073 h3: 9620 h4: 10098	h1: 3835 h2: 3173 h3: 9920 h4: 10398	h1: 3885 h2: 3223 h3: 10070 h4: 10548	
Model										
R20 N	○	○	○	○	○	○	○	○	○	

Series	1506										
Lift	h3: 4355	h3: 4755	h3: 5255	h3: 5755	h3: 6255	h3: 6755	h3: 7255	h3: 7755	h3: 8255	h3: 8755	h3: 9255
Height measurements	h1: 2065 h2: 1449 h3: 4355 h4: 4910	h1: 2190 h2: 1574 h3: 4755 h4: 5310	h1: 2365 h2: 1749 h3: 5255 h4: 5810	h1: 2540 h2: 1924 h3: 5755 h4: 6310	h1: 2690 h2: 2074 h3: 6255 h4: 6810	h1: 2865 h2: 2249 h3: 6755 h4: 7310	h1: 3040 h2: 2424 h3: 7255 h4: 7810	h1: 3190 h2: 2574 h3: 7755 h4: 8310	h1: 3365 h2: 2749 h3: 8255 h4: 8810	h1: 3540 h2: 2924 h3: 8755 h4: 9310	h1: 3690 h2: 3074 h3: 9255 h4: 9810
Model											
R14 HD-R20 HD	○	○	○	○	○	○	○	○	○	○	○
R20	○	○	○	○	○	○	○	○	○	○	○
R25	○	○	○	○	○	○	○	○	○	○	○
R20 W-1470 1670	○	○	○	○	○	○	○	○	○	○	○

Series	1506										
Lift	h3: 9755	h3: 10255	h3: 10755	h3: 11255	h3: 11755	h3: 12255	h3: 12755	h3: 13255	h3: 13755	h3: 14255	h3: 14955
Height measurements	h1: 3865 h2: 3249 h3: 9755 h4: 10310	h1: 4090 h2: 3474 h3: 10255 h4: 10810	h1: 4265 h2: 3649 h3: 10755 h4: 11410	h1: 4440 h2: 3824 h3: 11255 h4: 11810	h1: 4615 h2: 3999 h3: 11755 h4: 12310	h1: 4765 h2: 4149 h3: 12255 h4: 12810	h1: 4940 h2: 4324 h3: 12755 h4: 13310	h1: 5115 h2: 4499 h3: 13255 h4: 13810	h1: 5265 h2: 4649 h3: 13755 h4: 14310	h1: 5440 h2: 4824 h3: 14255 h4: 14810	h1: 5665 h2: 5049 h3: 14955 h4: 15510
Model											
R14 HD-R16 HD	○	○	○	○	-	-	-	-	-	-	-
R20	○	○	○	○	○	○	○	-	-	-	-
R20 HD	○	○	○	○	○	○	○	○	○	○	○
R20 W-1470 1670	○	○	○	○	○	○	○	-	-	-	-

○ Optional equipment

- Not available

h1: Height of mast, lowered

h2: Free lift

h3: Lift

h4: Height of mast, extended

STANDARD AND OPTIONAL EQUIPMENT

Model/equipment		R14 N	R16 N	R20 N	R14
Safety	Linde Curve Assist	●	●	●	●
	Electrical and hydraulic overload protection	●	●	●	●
	Seat-actuated traction interlock	●	●	●	●
	Battery lock with creep speed interlock	●	●	●	●
	Protective polycarbonate screen between console and mast	●	●	●	●
	Lift height related travel speed reduction	●	●	●	●
	Automatic slowdown at end of reach travel and at max. lift	●	●	●	●
Service	Sealed, maintenance-free AC 6.5 kW drive and 14 kW lift motors	●	●	●	●
Digitalisation	Comprehensive digital instrument display	●	●	●	●
	Linde Connect fleet management	○	○	○	○
	Radio Data Terminal bracket	○	○	○	○
Operation/load handling	Linde Digital Control system (LDC)	●	●	●	●
	Linde rheological 180° electric steering with tactile feedback	●	●	●	●
	Single axis joysticks	○	○	○	○
	Multifunction lever	○	○	○	○
	Lift height indicator above free lift zone	●	●	●	●
	Load weight indicator	○	○	○	○
	Lift height pre-selector	○	○	○	○
	Rack Protection Sensor	○	○	○	○
Environment	Height adjustable armrest	○	○	○	○
	Modular ambient cabin versions	–	–	–	○
	Cold store cabin	–	–	–	○
	Cold store protection to -30°C	○	○	○	○
Electronics	Electric horn and emergency isolator	●	●	●	●
	Linde batteries and charger	○	○	○	○
	Linde Li-ION truck version and Li-ION batteries	○	○	○	○
	Vision system, multiple cameras	○	○	○	○
Workplace	Fully adjustable air suspension seat	●	●	●	●
	Linde twin accelerator pedals	●	●	●	●
	Resiliently mounted operator's compartment	●	●	●	●
	Integral, adjustable control console	●	●	●	●
	Single accelerator pedal	○	○	○	○
	Heated seat	○	○	○	○
	High vision armoured glass roof	○	○	○	○
	Wind protection door	–	–	–	○
Mast	Tilting fork carriage and integral side shift	●	●	●	●
	Torsion-resistant fixed clear view triplex mast	○	○	○	○
	Mast mounted CCTV camera system	○	○	○	○
	Linde Dynamic Mast Control (DMC) with Electric Reach (ER)	–	–	–	○
Axles and Attachment/forks	Side shift centring	○	○	○	○
	Horizontal fork levelling	○	○	○	○
	Green fork tips	○	○	○	○
	Additional hydraulic circuit for attachments	○	○	○	○
Axles and tyres	Polyurethane drive and load wheel tyres	●	●	●	●
	Load wheel protection	○	○	○	○
	Side guidance wheels	○	○	○	○
Drive and brake system	Four independent braking systems. Regenerative and counter current braking, holding brake control with automatic parking brake and all-wheel braking system	●	●	●	●
Lighting	2 VertiLights mounted on the mast	○	○	○	○
	LED working lights at over head guard	○	○	○	○
	Rotating/flashing beacon	○	○	○	○
	Blue Spot™/TruckSpot safety light	○	○	○	○
	Red Warning Lines	○	○	○	○

● Standard equipment ○ Optional equipment – Not available

Alternative colours, more options see price list or on request.

STANDARD AND OPTIONAL EQUIPMENT

Model/equipment		R14 HD	R16	R16 HD	R20
Safety	Linde Curve Assist	●	●	●	●
	Electrical and hydraulic overload protection	●	●	●	●
	Seat-actuated traction interlock	●	●	●	●
	Battery lock with creep speed interlock	●	●	●	●
	Protective polycarbonate screen between console and mast	●	●	●	●
	Lift height related travel speed reduction	●	●	●	●
	Automatic slowdown at end of reach travel and at max. lift	●	●	●	●
Service	Sealed, maintenance-free AC 6.5 kW drive and 14 kW lift motors	●	●	●	●
Digitalisation	Comprehensive digital instrument display	●	●	●	●
	Linde Connect fleet management	○	○	○	○
	Radio Data Terminal bracket	○	○	○	○
Operation/load handling	Linde Digital Control system (LDC)	●	●	●	●
	Linde rheological 180° electric steering with tactile feedback	●	●	●	●
	Single axis joysticks	○	○	○	○
	Multifunction lever	○	○	○	○
	Lift height indicator above free lift zone	●	●	●	●
	Load weight indicator	○	○	○	○
	Lift height pre-selector	○	○	○	○
	Rack Protection Sensor	○	○	○	○
Environment	Height adjustable armrest	○	○	○	○
	Modular ambient cabin versions	○	○	○	○
	Cold store cabin	○	○	○	○
	Cold store protection to -30°C	○	○	○	○
Electronics	Electric horn and emergency isolator	●	●	●	●
	Linde batteries and charger	○	○	○	○
	Linde Li-ION truck version and Li-ION batteries	○	○	○	○
	Vision system, multiple cameras	○	○	○	○
Workplace	Fully adjustable air suspension seat	●	●	●	●
	Linde twin accelerator pedals	●	●	●	●
	Resiliently mounted operator's compartment	●	●	●	●
	Integral, adjustable control console	●	●	●	●
	Single accelerator pedal	○	○	○	○
	Heated seat	○	○	○	○
	High vision armoured glass roof	○	○	○	○
	Wind protection door	○	○	○	○
Mast	Tilting fork carriage and integral side shift	●	●	●	●
	Torsion-resistant fixed clear view triplex mast	○	○	○	○
	Mast mounted CCTV camera system	○	○	○	○
	Linde Dynamic Mast Control (DMC) with Electric Reach (ER)	○	○	○	○
Axles and Attachment/forks	Side shift centring	○	○	○	○
	Horizontal fork levelling	○	○	○	○
	Green fork tips	○	○	○	○
	Additional hydraulic circuit for attachments	○	○	○	○
Axles and tyres	Polyurethane drive and load wheel tyres	●	●	●	●
	Load wheel protection	○	○	○	○
	Side guidance wheels	○	○	○	○
Drive and brake system	Four independent braking systems. Regenerative and counter current braking, holding brake control with automatic parking brake and all-wheel braking system	●	●	●	●
Lighting	2 VertiLights mounted on the mast	○	○	○	○
	LED working lights at over head guard	○	○	○	○
	Rotating/flashing beacon	○	○	○	○
	Blue Spot™/TruckSpot safety light	○	○	○	○
	Red Warning Lines	○	○	○	○

● Standard equipment ○ Optional equipment – Not available

Alternative colours, more options see price list or on request.

STANDARD AND OPTIONAL EQUIPMENT

Model/equipment		R20 HD	R25	R20 W-1470	R20 W-1670
Safety	Linde Curve Assist	●	●	●	●
	Electrical and hydraulic overload protection	●	●	●	●
	Seat-actuated traction interlock	●	●	●	●
	Battery lock with creep speed interlock	●	●	●	●
	Protective polycarbonate screen between console and mast	●	●	●	●
	Lift height related travel speed reduction	●	●	●	●
	Automatic slowdown at end of reach travel and at max. lift	●	●	●	●
Service	Sealed, maintenance-free AC 6.5 kW drive and 14 kW lift motors	●	●	●	●
Digitalisation	Comprehensive digital instrument display	●	●	●	●
	Linde Connect fleet management	○	○	○	○
	Radio Data Terminal bracket	○	○	○	○
Operation/load handling	Linde Digital Control system (LDC)	●	●	●	●
	Linde rheological 180° electric steering with tactile feedback	●	●	●	●
	Single axis joysticks	○	○	○	○
	Multifunction lever	○	○	○	○
	Lift height indicator above free lift zone	●	●	●	●
	Load weight indicator	○	○	○	○
	Lift height pre-selector	○	○	○	○
	Rack Protection Sensor	○	○	○	○
Environment	Height adjustable armrest	○	○	○	○
	Modular ambient cabin versions	○	○	○	○
	Cold store cabin	○	○	○	○
	Cold store protection to -30°C	○	○	○	○
Electronics	Electric horn and emergency isolator	●	●	●	●
	Linde batteries and charger	○	○	○	○
	Linde Li-ION truck version and Li-ION batteries	○	○	○	○
	Vision system, multiple cameras	○	○	○	○
Workplace	Fully adjustable air suspension seat	●	●	●	●
	Linde twin accelerator pedals	●	●	●	●
	Resiliently mounted operator's compartment	●	●	●	●
	Integral, adjustable control console	●	●	●	●
	Single accelerator pedal	○	○	○	○
	Heated seat	○	○	○	○
	High vision armoured glass roof	○	○	○	○
	Wind protection door	○	○	○	○
Mast	Tilting fork carriage and integral side shift	●	●	●	●
	Torsion-resistant fixed clear view triplex mast	○	○	○	○
	Mast mounted CCTV camera system	○	○	○	○
	Linde Dynamic Mast Control (DMC) with Electric Reach (ER)	○	–	–	–
Axles and Attachment/forks	Side shift centring	○	○	○	○
	Horizontal fork levelling	○	○	○	○
	Green fork tips	○	○	○	○
	Additional hydraulic circuit for attachments	○	○	○	○
Axles and tyres	Polyurethane drive and load wheel tyres	●	●	●	●
	Load wheel protection	○	○	○	○
	Side guidance wheels	○	○	○	○
Drive and brake system	Four independent braking systems. Regenerative and counter current braking, holding brake control with automatic parking brake and all-wheel braking system	●	●	●	●
Lighting	2 VertiLights mounted on the mast	○	○	○	○
	LED working lights at over head guard	○	○	○	○
	Rotating/flashing beacon	○	○	○	○
	Blue Spot™/TruckSpot safety light	○	○	○	○
	Red Warning Lines	○	○	○	○

● Standard equipment ○ Optional equipment – Not available

Alternative colours, more options see price list or on request.

CHARACTERISTICS



Ergonomics as standard

Ergonomics

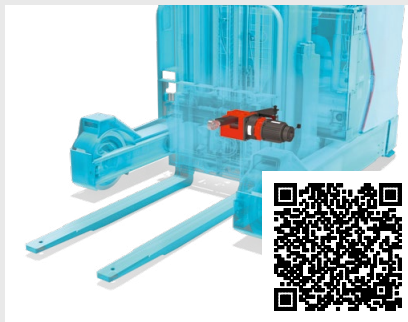
- Maximum operating comfort due to Multifunction Lever or Linde Load Control levers mounted on padded armrests
- Sophisticated ergonomic concept ensures intuitive and fatigue-free work
- All components and control elements individually adjustable
- Air-suspended seat that adapts to operator's weight and vibration-free operator compartment for greater comfort on uneven surfaces as standard
- Effective and convenient operation via intuitive controls and low on/off access step



Multifunction lever

Handling

- Linde Load Control levers or Multifunction Lever offer precise load handling
- Powerful drive and lift motors enable high load throughput
- Smooth, precise control of traction and hydraulic functions with Linde Digital Control System
- Excellent manoeuvrability in confined spaces and at height thanks to short wheelbase and dual pedal system



Unique ER and DMC system

Safety

- Linde Dynamic Mast Control with Electrical Reach, automatically compensates for dynamic mast oscillations and static deflection
- Safer load handling at height due to torsion-resistant triplex masts
- Monitoring system stops the truck in the event of traction, steering or lift failure, plus auto-braking if operator exits cabin
- Safe cornering with Linde Curve Assist
- Clear view thanks to mast designed for optimal visibility
- Battery lock with creep speed interlock



Unique Rack Protection System RPS

Productivity

- Linde Rack Protection System reduces rack damage and repair costs
- Utilisation of full rack capacity
- Aids temporary and less-skilled operators
- Increases productivity

Presented by:

Subject to modification in the interest of progress. Illustrations and technical details could include options and not binding for actual constructions. All dimensions subject to usual tolerances.



Linde Material Handling GmbH
Carl-von-Linde-Platz | 63743 Aschaffenburg | Germany
Phone + 49 6021 99 0 | Fax + 49 6021 99 1570
www.linde-mh.com | info@linde-mh.com

Printed in Germany | DS_R14_R25_HD_W_N_1120_en_C_0323