



Linde Material Handling

*Linde*



## Reach Truck

# R10 – R16 B

Capacity 1.0 – 1.6 t | Series 1120

### Cost-effective solution for high rack warehouses

- Cost-effective and versatile entry-level truck offering lowest costs per pallet movement for light to medium-weight tasks
- Ideal for storage and removal in high rack warehouses
- High residual load capacity and comfort through vibration-free cabin and adjustable control elements
- Wide model range with numerous extras and mast height up to 7.7 meters
- Long service intervals and easy access maintenance



Here you can find more content via your smartphone: [Linde Augmented Reality App](#)



# TECHNICAL DATA (According to VDI 2198)

			Linde	Linde	Linde	Linde	
			R10 B	R12 B	R14 B	R16 B	
Characteristics	1.1	Manufacturer	Linde	Linde	Linde	Linde	
	1.2	Model	R10 B	R12 B	R14 B	R16 B	
	1.2.a	Series	1120-00	1120-00	1120-00	1120-00	
	1.3	Power Unit	Battery	Battery	Battery	Battery	
	1.4	Operation	Seat	Seat	Seat	Seat	
	1.5	Load capacity/Load	Q (t)	1.0	1.2	1.4	1.6
	1.6	Load centre distance	c (mm)	600/500	600/500	600/500	600/500
	1.8	Axle centre to fork face	x (mm)	326 <sup>1)</sup>	326 <sup>1)</sup>	360 <sup>1)</sup>	427 <sup>1)</sup>
	1.9	Wheelbase	y (mm)	1275	1275	1381	1453
Weights	2.1	Service weight	(kg)	2825 <sup>2)</sup>	2890 <sup>2)</sup>	3270 <sup>2)</sup>	3280 <sup>2)</sup>
	2.3	Axle load with load, front/rear	(kg)	1750/1075	1770/1120	1950/1320	2015/1265
	2.4	Axle load without load, front/rear	(kg)	725/3100	600/3490	580/4090	645/4235
	2.4	Axle load, fork retracted, with load, front/rear	(kg)	1535/2290	1512/2578	1707/2963	1824/3056
Wheels / Tyres	3.1	Tyres rubber, SE, pneumatic, polyurethane	Polyurethane	Polyurethane	Polyurethane	Polyurethane	
	3.2	Tyre size, front	Ø 360 × 130	Ø 360 × 130	Ø 360 × 130	Ø 360 × 130	
	3.3	Tyre size, rear	Ø 285 × 100	Ø 285 × 100	Ø 285 × 100	Ø 285 × 100	
	3.5	Wheels, number front/rear (x = driven)	1x/2	1x/2	1x/2	1x/2	
	3.6	Track width, front	b10 (mm)	0	0	0	0
	3.7	Track width, rear	b11 (mm)	1167	1167	1167	1167
	Dimensions	4.1	Mast/fork carriage tilt, forward/backward	a/b (°)	2.0/2.0	2.0/2.0	2.0/2.0
4.2		Height of mast, lowered	h1 (mm)	2524 <sup>3)</sup>	3024 <sup>3)</sup>	2524	2524
4.3		Free lift	h2 (mm)	150	150	1857	1857
4.4		Lift	h3 (mm)	3832	4832	5710	5710
4.5		Height of mast, extended	h4 (mm)	4497 <sup>4)</sup>	5497 <sup>4)</sup>	6382 <sup>4)</sup>	6382 <sup>4)</sup>
4.7		Height of overhead guard (cabin)	h6 (mm)	2110 <sup>5)</sup>	2110 <sup>5)</sup>	2110 <sup>5)</sup>	2110 <sup>5)</sup>
4.8		Seat height relating to SIP/stand height	h7 (mm)	910 - 1040	910 - 1040	910 - 1040	910 - 1040
4.10		Height of reach legs	h8 (mm)	307.5	307.5	307.5	307.5
4.19		Overall length	l1 (mm)	2318 <sup>2)</sup>	2318 <sup>2)</sup>	2390 <sup>2)</sup>	2395 <sup>2)</sup>
4.20		Length to fork face	l2 (mm)	1168	1168	1240	1245
4.21		Overall width	b1/b2 (mm)	1270	1270	1270	1270
4.22		Fork dimensions DIN ISO 2331	s/e/l (mm)	40 × 80 × 1150	40 × 80 × 1150	40 × 80 × 1150	45 × 100 × 1150
4.23		Fork carriage to ISO 2328, class/type A, B		2A	2A	2A	2A
4.24		Width of fork carriage	b3 (mm)	880	880	880	880
4.25		Fork spread	b5 (mm)	296/829	296/829	296/829	296/829
4.26		Distance between wheel arms/loading surfaces	b4 (mm)	920	920	920	920
4.28		Reach travel	l4 (mm)	515	515	548	612
4.31		Ground clearance, below mast	m1 (mm)	90	90	90	90
4.32		Ground clearance, centre of wheelbase	m2 (mm)	70	70	70	70
4.34.1		Aisle width for pallets 1000 × 1200 crossways	Ast (mm)	2644 <sup>2) 6) 7)</sup>	2644 <sup>2) 6) 7)</sup>	2717 <sup>2) 6) 7)</sup>	2740 <sup>2) 6) 7)</sup>
4.34.2	Aisle width with pallet 800 × 1200 along forks	Ast (mm)	2703 <sup>2) 6) 7)</sup>	2703 <sup>2) 6) 7)</sup>	2770 <sup>2) 6) 7)</sup>	2780 <sup>2) 6) 7)</sup>	
4.35	Turning radius	Wa (mm)	1542 <sup>8)</sup>	1542 <sup>8)</sup>	1640 <sup>8)</sup>	1710 <sup>8)</sup>	
4.37	Length of chassis	l7 (mm)	1639	1639	1737	1817	
Performance	5.1	Travel speed, with/without load	(km/h)	11/11 <sup>9) 10)</sup>	11/11 <sup>9) 10)</sup>	11/11 <sup>9) 10)</sup>	11/11 <sup>9) 10)</sup>
	5.2	Lifting speed, with/without load	(m/s)	0.51/0.57	0.45/0.57	0.43/0.57	0.4/0.57
	5.3	Lowering speed, with/without load	(m/s)	0.55/0.55	0.55/0.55	0.55/0.55	0.55/0.55
	5.4	Reach speed, with/without load	(m/s)	0.16	0.16	0.16	0.16
	5.8	Maximum climbing ability, with/without load	(%)	10.0/10.0	10.0/10.0	10.0/10.0	10.0/10.0
	5.10	Service brake		hydr./mech.	hydr./mech.	hydr./mech.	hydr./mech.
Drive	6.1	Drive motor rating S2 60 min	(kW)	6.5	6.5	6.5	6.5
	6.2	Lift motor rating at S3 15 %	(kW)	14	14	14	14
	6.3	Battery according to DIN 43531/35/36 A, B, C, no		43 531 C/[Li-ION]	43 531 C/[Li-ION]	43 531 C/[Li-ION]	43 531 C/[Li-ION]
	6.4	Battery voltage/rated capacity (5 h)	((V)/(Ah)) o. (kWh)	48/420/465 [48/201] 2) 11)	48/420/465 [48/201] 2) 11)	48/420/465 [48/201] 2) 11)	48/420/465 [48/201] 2) 11)
	6.4.a	Battery energy content	(kWh)	[9.8] <sup>11)</sup>	[9.8] <sup>11)</sup>	[9.8] <sup>11)</sup>	[9.8] <sup>11)</sup>
	6.5	Battery weight (± 5 %)	(kg)	750	750	750	750
	6.6	Power consumption according to VDI cycle	(kWh/h)	3.4	3.6	3.9	4.1
	6.7	Turnover output according to VDI 2198	(t/h)	40.0	46.0	52.0	60.0
6.8	Turnover efficiency according to VDI 2198	(t/kWh)	13	15	16	18	
10.7	Sound pressure level LpAZ (at the driver's seat)	(dB(A))	64	64	64	64	

1) - 30 mm with int. side shifter

2) Alternative batteries may alter l1, Ast and service weight.

3) With 150 mm free lift

4) with integrated side shifter (with ± 80 mm side stroke)

5) With ambient cabin + 95 mm

6) Including a 200 mm (min.) operating aisle clearance.

7) Some truck specification require a reach-back restriction.

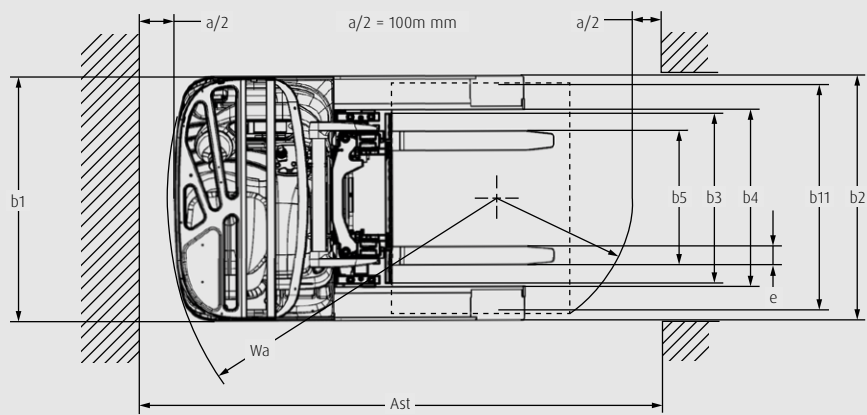
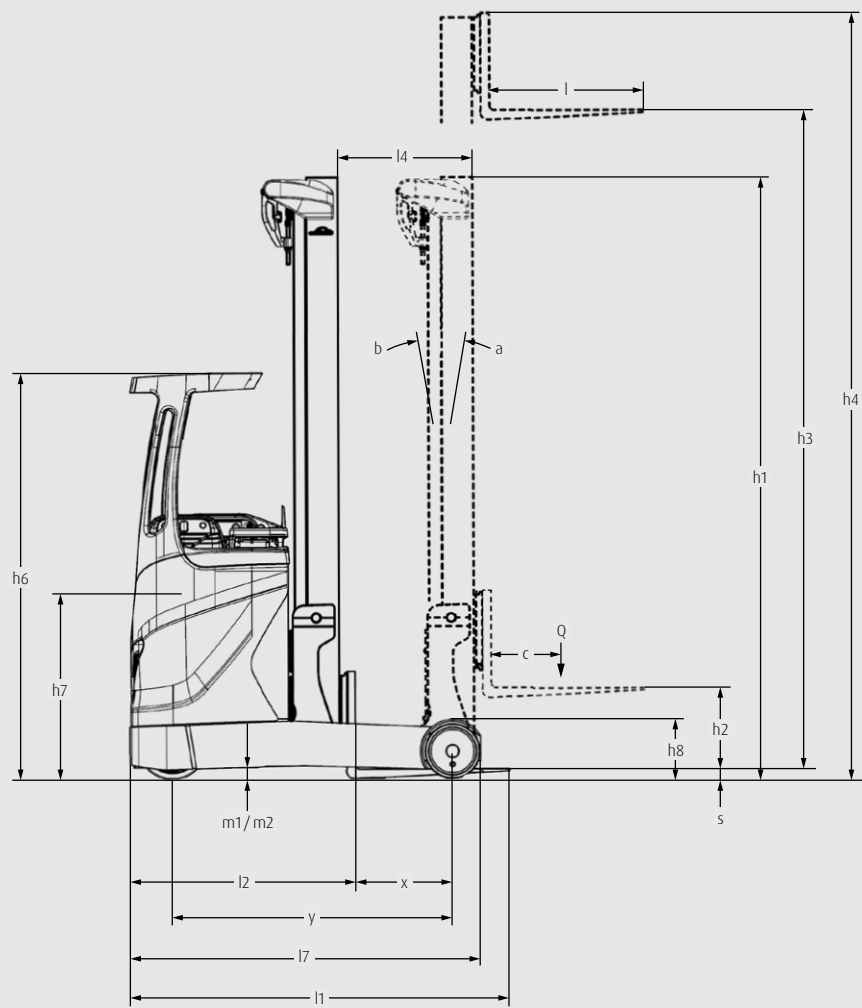
Please note information in Linde World mast table.

8) Attention, with cabin increased turning radius (Wa) due to required fender.

9) forward; backward

10) Depending on performance setting

11) Figures in [ ] with Li-ION battery see line 6.4





# MAST TABLES

## TRIPLEX MAST (in mm)

Series	1500									
Lift	h3: 4460		h3: 4610		h3: 4910		h3: 5210		h3: 5410	
Height measurements	h1: 2074	h2: 1407	h1: 2124	h2: 1457	h1: 2224	h2: 1557	h1: 2324	h2: 1657	h1: 2424	h2: 1757
Model	h3: 4460	h4: 5132	h3: 4610	h4: 5282	h3: 4910	h4: 5582	h3: 5210	h4: 5882	h3: 5410	h4: 6082
Model										
R10 B - R16 B	<input type="radio"/>		<input type="radio"/>		<input type="radio"/>		<input type="radio"/>		<input type="radio"/>	

Series	1500									
Lift	h3: 5710		h3: 5860		h3: 6210		h3: 6510			
Height measurements	h1: 2524	h2: 1857	h1: 2574	h2: 1907	h1: 2724	h2: 2057	h1: 2824	h2: 2157		
Model	h3: 5710	h4: 6382	h3: 5860	h4: 6532	h3: 6210	h4: 6882	h3: 6510	h4: 7182		
Model										
R10 B - R16 B	<input type="radio"/>		<input type="radio"/>		<input type="radio"/>		<input type="radio"/>		<input type="radio"/>	

Series	1500									
Lift	h3: 6660		h3: 6960		h3: 7260		h3: 7560		h3: 7710	
Height measurements	h1: 2874	h2: 2207	h1: 2974	h2: 2307	h1: 3074	h2: 2407	h1: 3174	h2: 2507	h1: 3224	h2: 2557
Model	h3: 6660	h4: 7332	h3: 6960	h4: 7632	h3: 7260	h4: 7932	h3: 7560	h4: 8232	h3: 7710	h4: 8382
Model										
R10 B - R16 B	<input type="radio"/>		<input type="radio"/>		<input type="radio"/>		<input type="radio"/>		<input type="radio"/>	

Optional equipment

**h1:** Height of mast, lowered

**h2:** Free lift

**h3:** Lift

**h4:** Height of mast, extended



# STANDARD AND OPTIONAL EQUIPMENT

	Model/Equipment	R10 B – R12 B	R14 B – R16 B
Safety	Linde Curve Assist	●	●
	Electrical and hydraulic overload protection	●	●
	Seat-actuated traction interlock	●	●
	Battery lock with creep speed interlock		
	Protective polycarbonate screen between console and mast	●	●
	Lift height related travel speed reduction	●	●
	Automatic slowdown at end of reach travel and at maximum lift	●	●
Service	Sealed, maintenance-free AC 6.5 kW drive and 14 kW lift motors	●	●
Digitalization	Comprehensive digital instrument display	●	●
	Connect Linde Fleet management	○	○
	Radio Data Terminal bracket	○	○
Operation/Load Handling	Linde Digital Control System (LDC)	●	●
	Linde rheological 180° electric steering with tactile feedback	●	●
	Single axis joysticks	○	○
	Multifunction Lever	○	○
	Lift height indicator above free lift zone	●	●
	Lift height pre-selector	○	○
Environment	Fan underneath overhead guard	○	○
	Modular ambient cabin versions	○	○
	Height adjustable armrest	○	○
	Adjustable ambient light	○	○
Electronics	Electric horn and emergency isolator	●	●
	12 V USB + auxiliary power socket	○	○
	Linde batteries and charger	○	○
	Linde Li-ION truck version and Li-ION batteries	○	○
Workplace	Linde twin accelerator pedals	●	●
	Resiliently mounted operator's compartment	●	●
	Integral, adjustable control console	●	●
	Single accelerator pedal	○	○
	180° / 360° steering selectable steering modes via menu (single accelerator pedal only)	○	○
	High Vision armored glass roof	○	○
	Wind protection door	○	○
	Fully adjustable seat with manual weight adjustment	●	●
Mast	Torsion-resistant fixed clear view triplex tilt mast	○	○
	Side shift	○	○
	Side shift centering	○	○
	Load backrest	○	○
Attachment /Forks	Green fork tips	–	○
	Additional hydraulic circuit for attachments	○	○
Axles and Tires	Polyurethane drive and load wheels tires	●	●
	Load wheel protection	○	○
	Side guidance wheels	○	○
Drive and Brake-System	Four independent braking systems. Regenerative and counter current braking, holding brake control with automatic parking brake and all-wheel brake system.	●	●
Lighting	LED working lights at over head guard	○	○
	Rotating/ flashing beacon	○	○
	Blue Spot™ / TruckSpot safety light	○	○
	Red Warning Lines	○	○

● Standard equipment

○ Optional equipment

– Not available

# CHARACTERISTICS



Ergonomics as standard

## Ergonomics

- Maximum operating comfort due to Multifunction Lever and padded armrests with the preciseness of Linde Load Control
- Ergonomics as standard with vibration-free chassis and adjustable control consoles ensure fatigue-free work
- Greater efficiency through low cabin access and height-adjustable operator seat
- All-round view facilitates operation even in narrow environment



Multifunction Lever

## Handling

- Highly maneuverable through short wheelbase, compact chassis and 180° steering
- Smooth, precise control of traction and hydraulic functions thanks to Linde Digital Control
- Variable operating modes for high performance or energy saving offer maximum efficiency
- Intuitive control of torsion-free triplex tilting masts



Best visibility

## Safety

- High Vision armoured glass roof provides best visibility
- Thin mast profiles for perfect all-round visibility
- High stability and residual load capacities thanks to sturdy and durable chassis with solid steel subframe
- Enhanced safety through independent all-wheel braking systems as standard
- Lifting height display and high residual load capacity make goods transport safer
- Auto-stop system in the event of traction, steering or lift failure



Easily accessible service points

## Service

- High availability through maintenance-free drive, lift and three-phase AC steering motors
- Easy to lift driver's seat with pneumatic spring and swivel joint offers quick access to key electronic and mechanical components
- Electronic truck diagnostics simplify maintenance
- Uncomplicated servicing at long intervals of 1000 operating hours

Presented by:

Subject to modification in the interest of progress. Illustrations and technical details could include options and not binding for actual constructions. All dimensions subject to usual tolerances.



**Linde Material Handling GmbH**  
Carl-von-Linde-Platz | 63743 Aschaffenburg | Germany  
Phone + 49 6021 99 0 | Fax + 49 6021 99 1570  
www.linde-mh.com | info@linde-mh.com

Printed in Germany | 073.e.2.1020.IndD.se